

Maintenance

Your swivel adapter will provide you years of service with proper care and maintenance. This involves pre-dive, post-dive and regular professional service.

Pre-dive check: Exercise your swivel adapter and make sure there's no exposed O-ring, loose screw, breakdown or hiss when air is turned on.

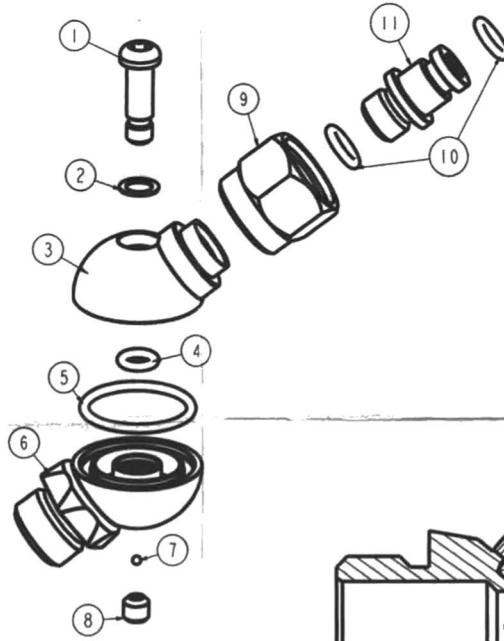
Post-dive care: After use, thoroughly rinse your regulator with swivel adapter being attached to the regulator and hose in fresh water, rotate the swivel adapter in the water to remove salt and contaminant. Allow the gear to thoroughly dry before storing it in a closed container.

Professional service: Over time, mineral deposits and salt build-up will accumulate on your swivel adapter, which can adversely affect its performance. Professional cleaning and service is the only way to remove these deposits and return the swivel adapter to its proper working order. To keep your swivel adapter working as its best performance, you should have it serviced at least once every two years by a professionally trained technician.

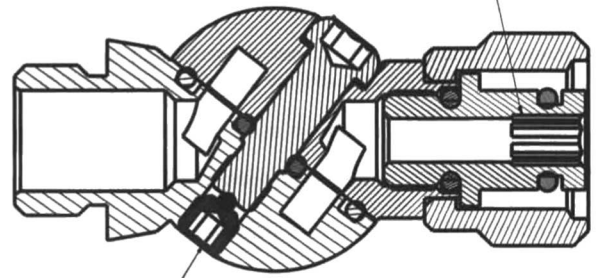
Replacing the o-rings and steel ball

1. Remove the Cup PT Setscrew using a 2.5mm hex wrench. Pour out the steel ball and loosen the bolt using a 3mm hex wrench.
2. Remove AS568-008 and AS568-018 O-rings. The unit is now ready for cleaning, parts replacement, reassembly and adjustment.
3. Change AS568-008, AS568-018 O-rings. When lubricating O-rings, use CHRISTO-LUBE® MCG129 and grease the components in a clean sealed zip-lock bag.
4. Install AS568-008 and AS568-018 O-rings onto the swivel base, put the upper swivel cap to place.
5. Screw the bolt with a 3.0mm hex wrench. Hand tighten only, do not over tighten. The base and upper swivel cap should rotate smoothly as a normal condition. Adjust the bolt until the unit rotates smoothly and normally.
6. Change the steel ball – always use a new steel ball in every service of your swivel adapter, the steel ball is not reusable.
7. Insert the Cup PT Setscrew and tighten at 35-40lbs/in torque value with a 2.5mm hex wrench. The whole unit is now firmed up.
8. Do not attempt to re-adjust the swivel adapter through the bolt after step #7 is completed.
9. Repeat step #1, 5, 6, and 7 if the unit needs to be re-adjusted. In any case use a new steel ball when the setscrew is removed from the unit.
10. Attach the swivel adapter onto 2nd stage regulator and hose, pressurize the unit and check if it leaks in water.
11. The unit becomes slightly loose when air supply is on and should revert to normal after air is released. Re-adjust the unit if the unit is found too loose with air on.

SWIVEL ADAPTER 360 PART LIST			
NO	ITEM NO	DESCRIPTION	Q'TY
1	0063	BOLT (HEX)	1
2	0062	TEFLON WASHER	1
3	0061	CAP BALL SWIVEL	1
4	2-008-01	AS568-008 O-RING	1
5	2-018-01	AS-568-018 O-RING	1
6	0060	BASE BALL SWIVEL	1
7	0075	STEEL BALL	1
8	0066	CUP PT SETSCREW (HEX)	1
9	0064	NUT SWIVEL LP	1
10	2-010-01	AS568-010 O-RING	2
11	0065	NUT RETAINER (HEX)	1



60 lbs/in



35-40 lbs/in

PAT.P. 096206554